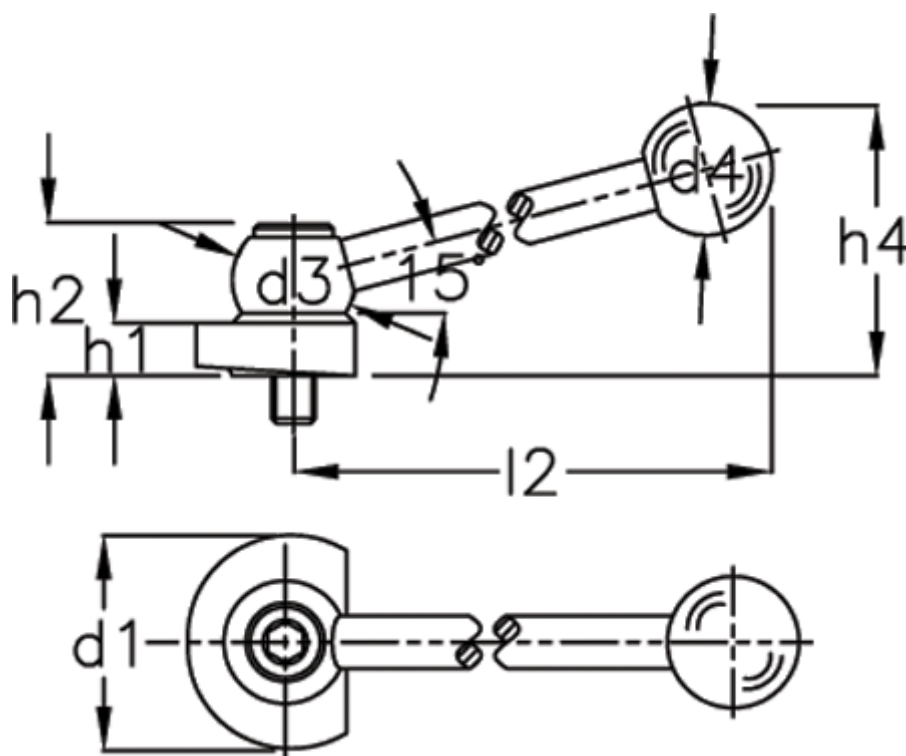


Article number: 209264671L

Description: E+G Clamping bolt GN 918.7-50-KV-L  
For eccentric cams, stainless

## Measures



d1 = 50  
d3 = 28  
d4 = 30  
H1 = 12  
H2 = 34.5  
H4 = 62  
l2 = 109